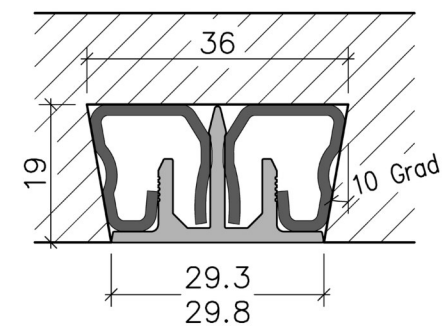
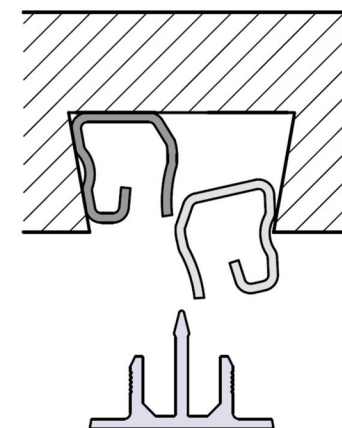


Burr strip PLANOGRAT



cross section



installation

- Flush mounting with flat cover
- Quickly installed by hammering in the terminal strip
- extremely resistant to bending due to two stable steel profiles
- also suitable for extension tables

- two steel rolled sections for stable shaping
- one aluminum profile as flush cover